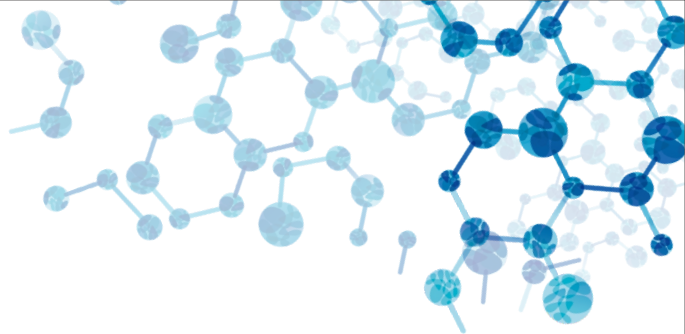


seamaty



POINT OF CARE TESTING (POCT) AUTO CHEMISTRY ANALYZER

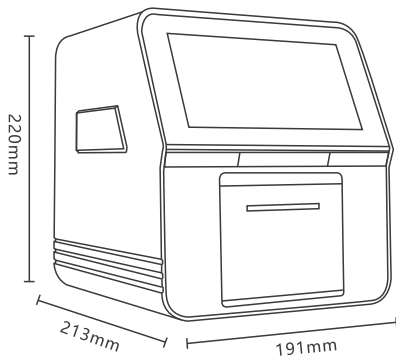
SMT-120 Auto Chemistry Analyzer is a biochemical analysis system that integrates conventional biochemistry, coagulation, electrolyte and immunoassay items. It is widely used in primary health, emergency diagnostic testing, field rescue and other fields.

Immediate Results Anywhere Anytime

Transfer results to PC

Build results database
(LIS System)





SMT-120

AUTO CHEMISTRY ANALYZER

Equipped with the latest medical and technological innovations, we have invented a state-of-the-art portable SMT-120 Auto Chemistry Analyzer which provides a better, faster and more accurate diagnosis for blood analysis.



Test up to 34 parameters in total



Test results in 12 minutes



3-step simple operation

ADVANTAGES

Low Sample Consumption

Sample Volume needed is 1/10 - 1/20 of conventional chemistry analyzer.

Easy to Use

No professional skill required.

Maintenance Free

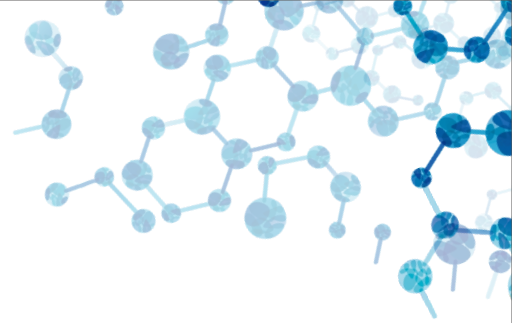
Robust analyzer, no consumables needed, such as tubes, pumps and valves.

Accurate Result

Using the photoelectric colorimetric principle, the SMT-120 analyzer has many advantages versus conventional dry biochemistry analyzer using the light reflection method. Dilution of test sample is guaranteed Without random errors or cross contamination.

SPECIFICATION

| | | | |
|-------------------|---|----------------|---|
| Sample volume | 90-120µl | Testing method | End-point, kinetic, two-point |
| Bar code | Two-dimensional bar code automatically read | Light source | 12V/20W halogen lamp with shelf life over 2500 hours |
| Testing time | 12 minutes / sample | Power adapter | Input: AC 100V-240V, 50-60Hz Output: 15V ■ 7.0A, 105W Max |
| Temperature | 37°C ± 0.2°C | Display | 6.5 inch multi-touch screen, android system, multi-language support |
| Resolution | 0.001Abs | Storage | >500,000 results |
| Absorbance | 0-3.0Abs | Printer | Built-in thermal printer |
| Sample type | Lithium Heparin Anticoagulant whole blood, serum and plasma | IT connection | 2 USB interfaces |
| Work environment | Temperature: 10-32°C; Humidity: <85% | Weight | 4.2 Kg of the analyzer, 0.6 Kg of power adapter |
| Testing principle | Absorption spectroscopy, turbidimetry | | |
| QC & Calibration | Automatic and real-time | | |



EASY 3-STEP OPERATION

All steps are automated from centrifugation, dilution, quality control to test result printing.



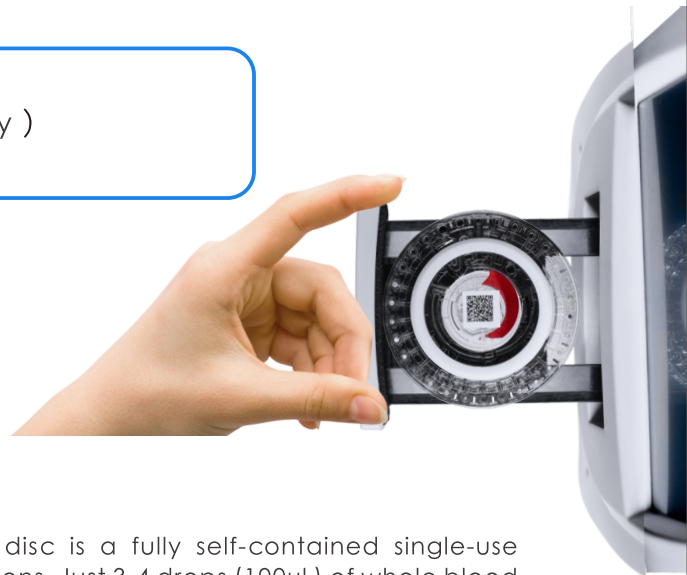
01 Add Sample (100 μ L)



02 Insert Disc (12-minute testing time)



03 Read Results (immediately)



DISPOSABLE REAGENT DISC

Seamaty Reagent Disc Introduction

Born from space technology research, Seamaty reagent disc is a fully self-contained single-use chemistry reagent disc designed to satisfy a variety of conditions. Just 3-4 drops (100 μ l) of whole blood are required to offer accurate results. The test kit consists of lyophilized reagent beads, diluent and QR code. The reagent disc has a shelf life of 12 months(2-8 $^{\circ}$ C storage). The diluent is contained in the disc. The QR code includes the basic information of the disc.

Intelligent Quality Control

The reagent disc contains a complicated internal quality control system IQC which continuously monitors the disc function to ensure reaction stability and optimal disc performance. IQC is the engine that drives the SMT-120 accurately and precisely.

Correlation

In countless central-lab correlation studies, the accuracy, precision and reproducibility of the SMT-120 Auto Chemistry Analyzer has been proven and approved by the most respected hospitals and commercial around the world.

Reagent Panel

14 General Chemistry Kit

AW00002

ALB ALP ALT AMY AST Crea GLU GGT TB
TC TG TP UA UREA U/C* A/G* GLOB*

18 General Chemistry II Kit

AW00866

ALB AMY AST Ca CK Cl⁻ Crea GLU HBDH
LDH LPS Mg Na⁺ K⁺ tCO₂ UA UREA PHOS
U/C*

10 Relyte Kit

MD20105

K⁺ Na⁺ Cl⁻ Ca Mg tCO₂ UREA Crea UA
PHOS U/C*

8 Renal Function Kit

AW00275

ALB Ca Cl⁻ Crea K⁺ Na⁺ UA U/C* UREA

7 Electrolyte Kit

AW00246

Ca Cl⁻ K⁺ Mg Na⁺ PHOS tCO₂

5 Cardiac kit

MD20201

AST LDH CK HBDH CK-MB

14 General Chemistry B Kit

AW01077

ALB ALT AMY AST CK Crea DB GLU TB
TC TG TP UA UREA U/C* A/G* GLOB*

10 Liver Function Plus Kit

AW00430

ALB ALT AMY AST ALP DB GGT LPS TB
TP A/G* GLOB*

17 Conventional Chemistry Kit

AW01076

ALB ALP ALT AST CHE Crea DB GGT GLU
HDL TB TBA TC TG TP UA UREA U/C*
A/G* LDL* GLOB*

HbA1c Kit

MD10186

HbA1c

8 Renal Function Kit

AW00088

ALB Ca Crea GLU PHOS tCO₂ UA UREA U/C*

19 General Chemistry III Kit

AW00867

ALB TP GLU TC TG HDL ALP GGT TB
DB CHE TBA ALT AST CK AMY Crea UREA
UA A/G* LDL* U/C* GLOB*

10 Liver Function Kit

AW00131

ALB ALP ALT AMY AST CHE TBA GGT TB
TP A/G* GLOB*

6 Lipid Kit

AW00353

ALT AST GLU HDL TC TG LDL*

5 CRP Kit

MD10132

LPS CRP AMY UREA Crea

13 Liver Function Kit

AW01078

ALB ALP ALT AST CHE Crea DB GGT TB
TBA TP UA UREA U/C* A/G* GLOB*

13 Health Check Kit

AW00194

ALB AMY ALT AST Ca Crea CK PHOS GLU
TB TG TP UREA U/C* A/G* GLOB*

11 Chemistry CRP Kit

AW00857

TP Crea TB AST ALP ALB ALT DB GLU
CRP UREA U/C* A/G* GLOB*

4 Coagulation Assay Kit

MD10184

Fib PT TT APTT INR*

* calculated